

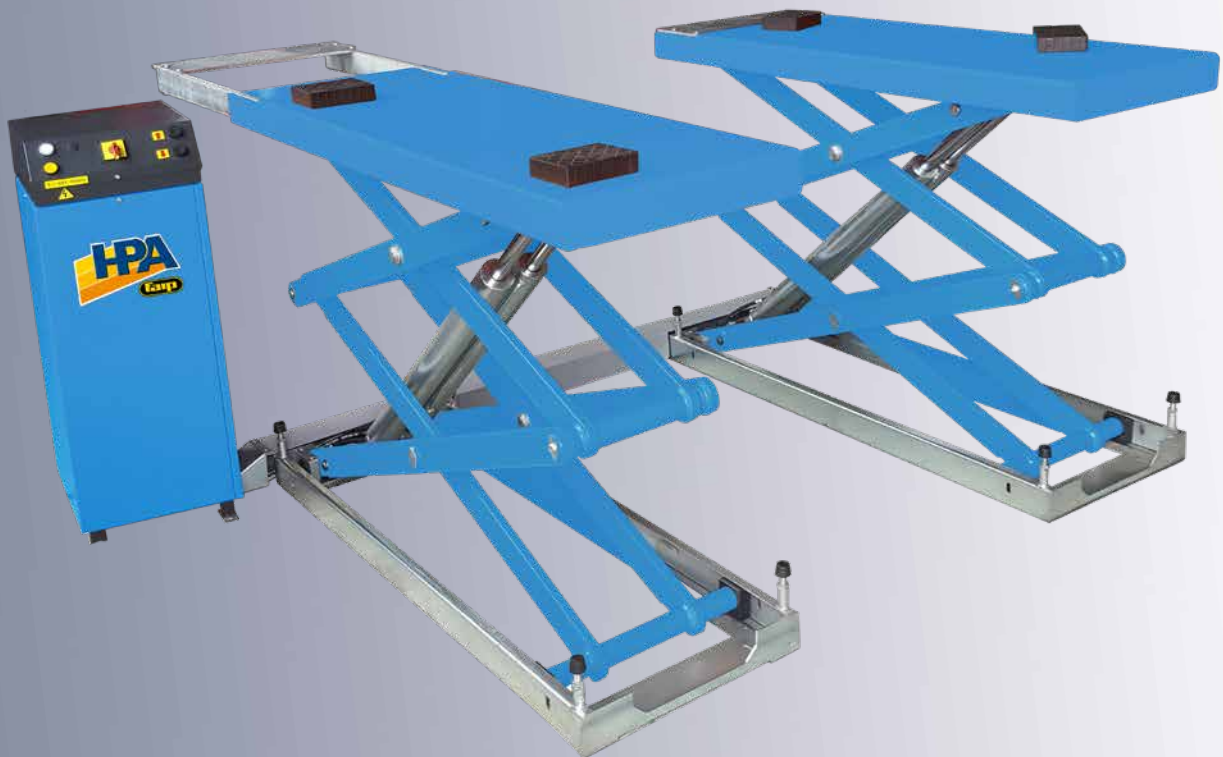
C-Line

Lifting Equipment

4000



3600



Electrohydraulic underbody scissors type lift, for tyre specialists, car workshops, and body repairers.
Runboards alignment by **MASTER/SLAVE** system .
Runboard available with extensions only. Configuration for flush installation.

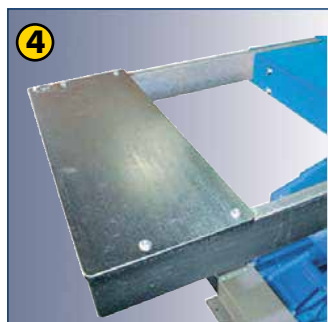
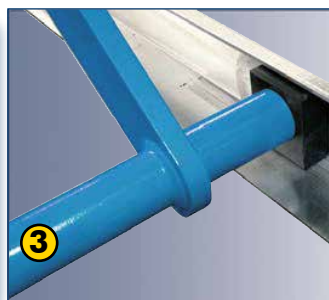
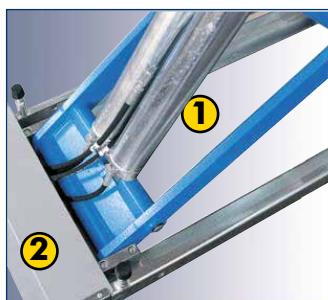


Electrohydraulic underbody
scissors type lift

Superlift 40-2STC E
Superlift 36-2STC E

SUPERLIFT 40-2STC E SUPERLIFT 36-2STC E

Electrohydraulic underbody scissors type lift



Technical data

Model	40-2STC E	36-2STC E
<input type="checkbox"/> Lift capacity	4000 kg	3600 kg
<input type="checkbox"/> Lifting time	45 s	
<input type="checkbox"/> Three phase motor	230/400V - 3kW - 3Ph - 50/60Hz	
<input type="checkbox"/> Single phase motor	230V - 3kW - 1ph - 50/60 Hz	
<input type="checkbox"/> Max. lifting height	2020 mm	
<input type="checkbox"/> Lift minimum height	290 mm	270 mm

- 1-2. Strong support of cylinder and removable connections on base and runway for simpler maintenance.
- 3. Generously sized, self-lubricating sliding blocks.
- 4. Runway with pull-out extension.
- 5. Adjustment bolts with rubber to cushion the end of the stroke.

Supplied accessories

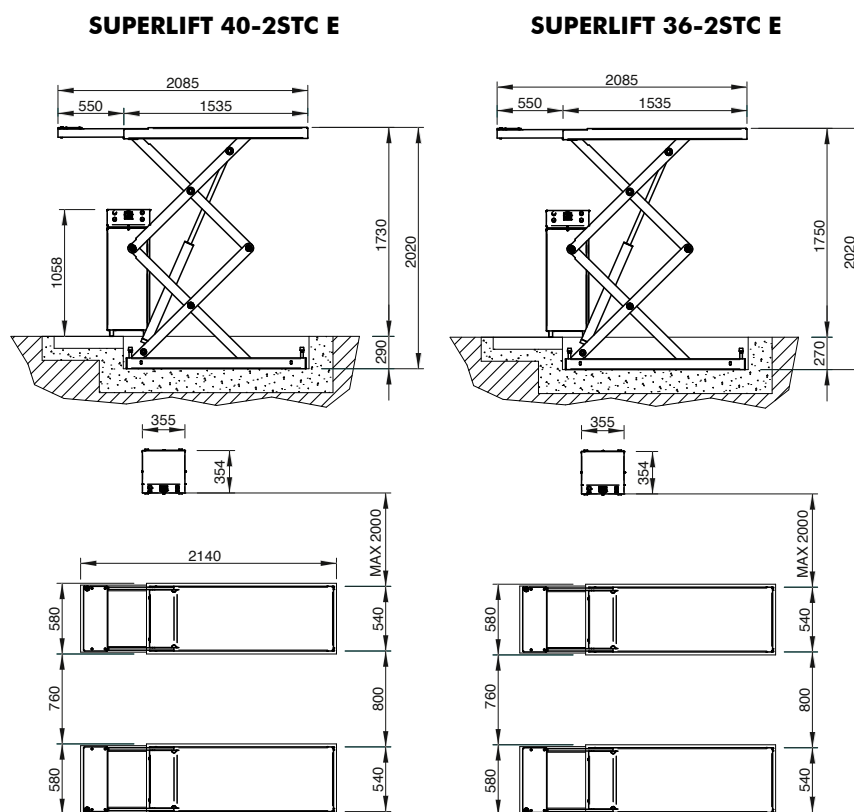
All models supplied with:

- Self-lubricating bushings on all rotating parts
- Set of 4 rubber pads

Optional accessories

- Pair of cross pieces and pads for off-road vehicles.
- Kit for flush installations.

Dimensions



The illustrations, configurations and technical features in this publication are intended to present the product only, and are subject to variation. To ensure correct ordering, always refer to the current price list.



NEXION S.p.A.
www.hpa-faip.it - info@hpa-faip.it



Designed in
ITALY

DPSF000488 - 07/21