

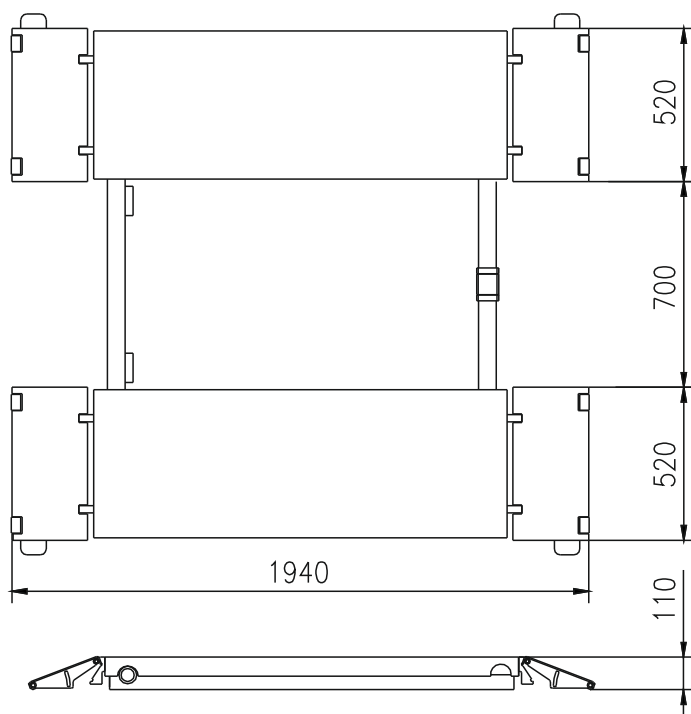
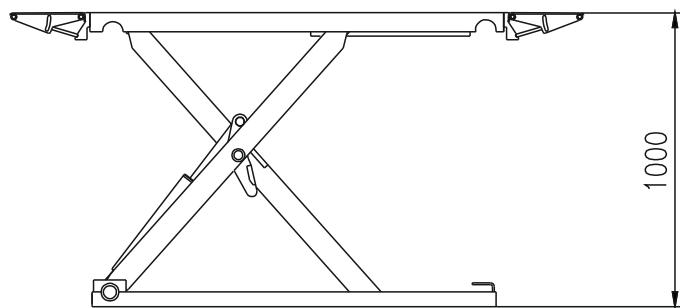
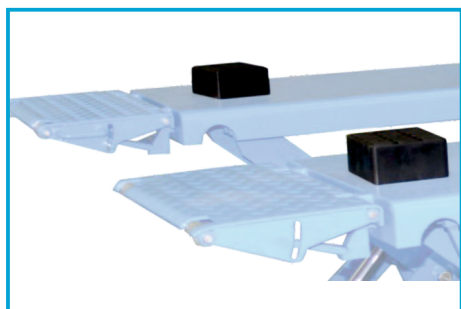
PN3500D



CAPACITY:	3500 kg
POWER SUPPLY:	230V/50Hz
MOTOR POWER:	2,2 kW
LIFTING HEIGHT:	110-1000 mm
PLATFORM LENGTH:	1400-1900 mm
NOISE LEVEL:	<70 dB
WEIGHT:	550 kg
SIZE OF THE PACKAGE:	160x180x65 cm

Electrohydraulic scissor lift with moving possibility ♦ stable construction
 ♦ mechanical height lock electrically released ♦ mechanically synchronized
 adjustable platforms ♦ rubber pads and moving set in standard equipment
 ♦ safety appliances in order to EN1493:2010 ♦ oil HL22 10 liters.

STANDARD EQUIPMENT



**LIFT MOVING KIT
 RUBBER SPACERS 4 PCS.**