

# PN3000C



CAPACITY:	3000 kg
POWER SUPPLY:	400V/50Hz
PNEUMATIC SUPPLY:	8 bar max.
MOTOR POWER:	2,6kW
LIFTING HEIGHT:	0-1700 mm
PLATFORMS:	550 x 1540-1740 mm
NOISE LEVEL:	<70 dB (A)
WEIGHT:	830 kg
SIZE OF THE PACKAGE:	60x155x130 mm



**POWERFUL CYLINDERS WITH A CAPACITY OF 3000 kg**



**PNEUMATIC HEIGHT LOCK**



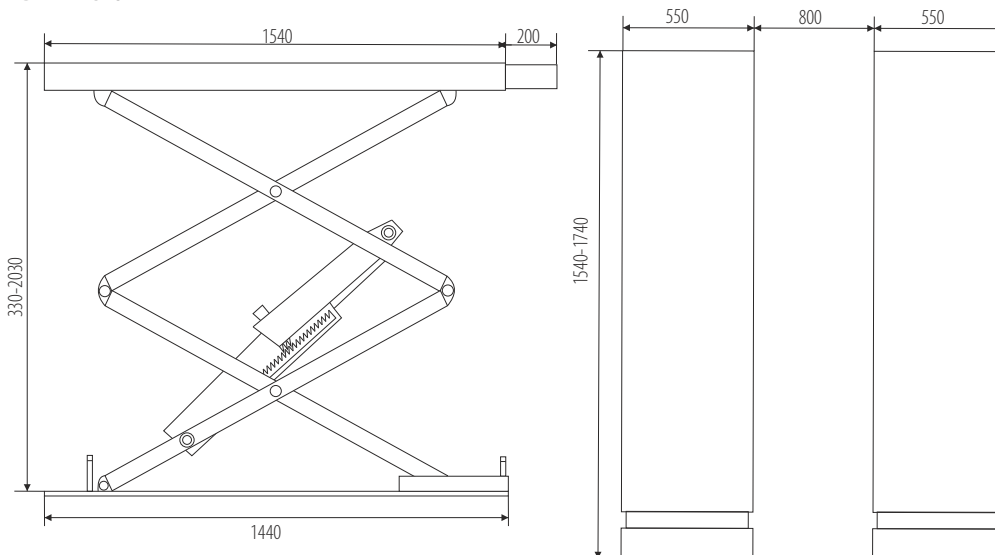
**FREE SPACE AFTER FOLDING**

Electrohydraulic lift ♦ pneumatically activated height lock ♦ designed for mounting in a moat ♦ safe 24V voltage control from the outside of the control box ♦ hydraulic safety devices in case of sudden oil leakage or overload ♦ extreme and safe sensor platform locations ♦ acoustic signal of the final descent phase.



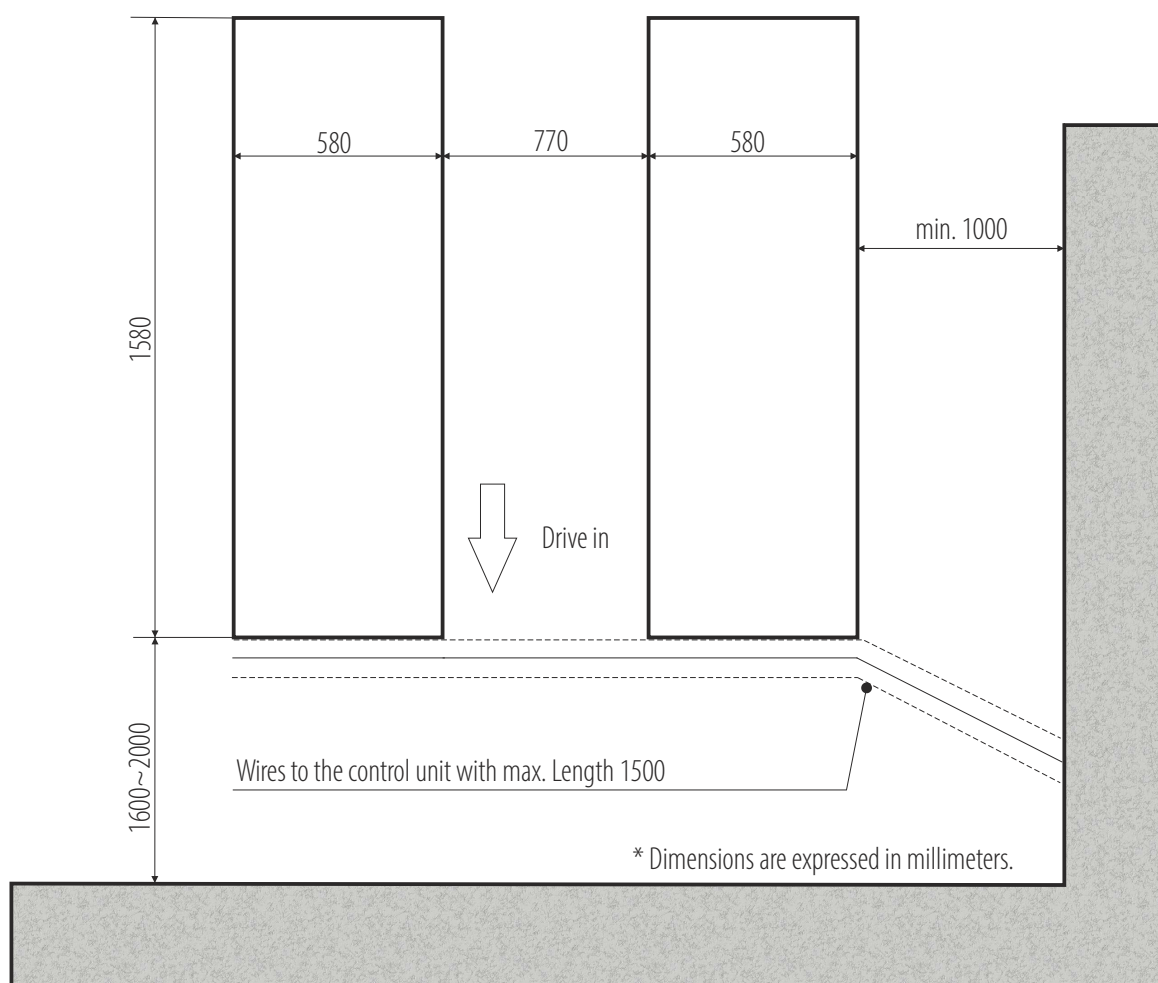
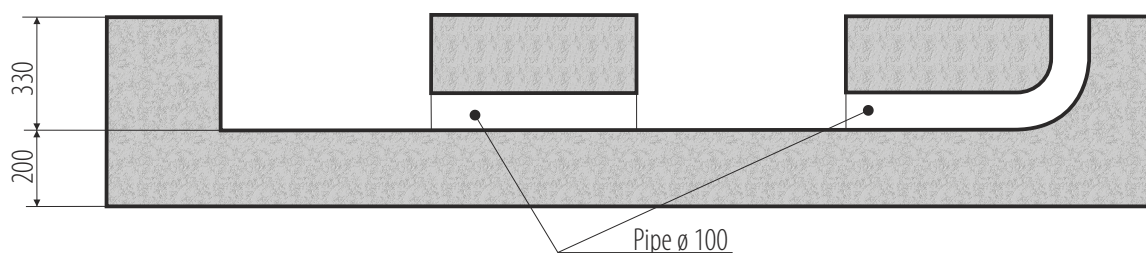
**SAFE HEIGHT LOCKING**

**DIMENSION**



**LIMIT SWITCH**

# PN3000C



## INSTALLATION REQUIREMENTS:



Concrete class: B25 or C20 / 25 with a minimum mounting area: 1780x2060x200mm ♦ Acceptable floor imbalance: +/- 5mm, floor execution: 3 weeks before assembly ♦ Mounting anchors: mechanical M12 / 150 mm 8 pieces or chemical M16 / 250mm ♦ Hydraulic oil: HL32, 16.0l ♦ Power supply: 5x2.5mm cable to the place of assembly ♦ Pneumatic supply: dry and lubricant air, min. 6 bar (max. 8 bar) ♦ Current protection: min. 32A with 3-phase 400V / 50Hz power supply.

Installation allowed only in closed areas ♦ prohibition of using reinforcement 20 cm from the top thicker than 4mm<sup>2</sup> ♦ assembly for chemical anchors for an additional fee (submit in advance, preferably when setting the date of assembly) ♦ All connections, with particular reference to electrical connections, they must be made by authorized persons ♦ The installation must remain carried out by qualified personnel according to the rules attached in this building plan ♦ In the case of assembly by Nortec or its authorized service center, the lift must be on solid ground.